

## Diaphragm Seal Wafer type (Pancake)



### Features:

- Laser welded diaphragm
- Suitable for slurry & high viscous service
- Easy to clean
- Flush fitment in pipeline
- Flushing ring flange & diaphragm are available in various types of SS & exotic material.

### Applications:

- Diaphragm seals are provided in the instruments like pressure gauge, switches, transmitters in order to isolate the sensing element from the main service due its corrosive viscous & sedimented nature & avoid clogging & solidification.
- This kind of seals are widely used in the viscous & corrosive services where flushing is required periodically & frequently

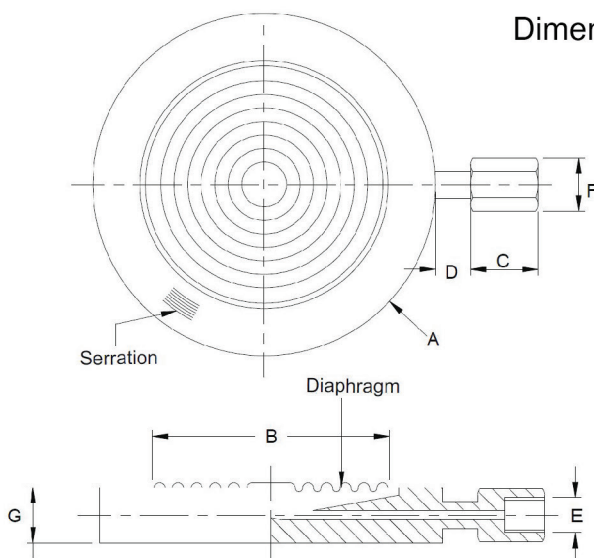
### Standard Parameters

Range	: 1 kg/cm <sup>2</sup> to 160 kg/cm <sup>2</sup>
Process temperature	: -40° C to 200° C or as per filled fluid
Instrument connection	: 1/4" NPT[F]
Process connection	: Flange [ANSI/BS/DIN/JIS], Suitable for 2" & above
Flange finish	: Finish 125 to 250 AARH

### Materials of Construction

Diaphragm	: AISI 316L SS
Pancake body / flange	: AISI 316 SS
Fill fluid	: Silicon oil-DC 200

### Dimensional drawing



A	B	C	D	E	F	G
**	***	20	*	1/4" NPT[F]	17 Hex	22

\*To Suit flange raised face

\*\*2" & above flanges as per ANSI, BS, DIN, JISS etc.

\*\*\*Diaphragm size as per pressure range

Note: ● Drawings are not to scale ● All dimensions are in mm

## Flange connection codes

**As Per DIN 2527**

DN	PN	CODE	DN	PN	CODE
50	6	A51	80	6	A71
	10	A52		10	A72
	16	A53		16	A73
	25	A54		25	A74
	40	A55		40	A75
	64	A56		64	A76
	100	A57		100	A77
	160	A58		160	A78
	250	A59		250	A79
	400	A60		400	A80

**As Per ANSI B 16.5**

NOMINAL SIZE	RATING /CLASS	CODE
2"	150	B39
	300	B40
	600	B41
	900	B42
	1500	B43
	2500	B44
	3"	150
300		B52
600		B53
900		B54
1500		B55
2500		B56

**As Per BS - 10**

NOMINAL SIZE	TABLE	CODE
2"	D	C15
	E	C16
	F	C17
	H	C18
	J	C19
	K	C20
	3"	D
E		C28
F		C29
H		C30
J		C31
K	C32	

**As Per JIS - B 2210**

NOMINAL SIZE	RATING /CLASS	CODE
50A	5K	B75
	10K	B76
	40K	B77
80A	5K	B81
	10K	B82
	40K	B83

**As Per DIN 2642**

DN	PN	CODE
50	10	A96
80		A98

**As Per DIN 2635**

DN	PN	CODE
50	40	B06
80		B08

Raised face : **A2**  
Flat face : **A3**

**As Per DIN 2633**

DN	PN	CODE
50	16	A87
80		A89

## Ordering Codes

**1. Diaphragm**

<b>S6L</b>	AISI 316L SS
<b>HC</b>	Hastelloy C
<b>TI</b>	Titanium
<b>IN</b>	Inconel 600
<b>MO</b>	Monel
<b>TN</b>	Tantalum
<b>NI</b>	Nickel

**2. Pancake body/Flange\***

<b>2S6</b>	For 2" Flange size- AISI 316 SS
<b>3S6</b>	For 3" Flange size- AISI 316 SS
<b>2HC</b>	For 2" Flange size- Hastelloy C
<b>3HC</b>	For 3" Flange size- Hastelloy C

\*Suitable for 2" or 3" DIN/ANSI/BS,JIS Flanges

**3. Instrument Connection**

<b>06BF</b>	1/4" BSP[F]
<b>06NF</b>	1/4" NPT[F]
<b>10BF</b>	3/8" BSP[F]

**4. Flange Material**

<b>HC</b>	Hastelloy C
<b>S6</b>	AISI 316 (Standard)
<b>S6L</b>	AISI 316L

**5. Protection on wetted parts**

<b>PT</b>	PTFE Coating on diaphragm (max. upto 315°C)
-----------	---

**S6L**
**2S6**
**06BF**
**S6**
**PT**
**6. Filling Fluids**

<b>S1</b>	Silicon DC 200 [-40°C to 205°C]
<b>S2</b>	Silicon DC 704 [10°C to 337°C]
<b>S3</b>	Silicon DC 710 [7°C to 371°C]
<b>FG</b>	Food grade Oil [-20°C to 140°C]

**7. Remote mounting**

Specify in meters  
\*With capillary of Max up to 6M

**8. Capillary**

<b>S4</b>	AISI 304 SS
<b>S6</b>	AISI 316 SS

**9. Capillary covered with armour**

<b>S4</b>	AISI 304 SS
<b>S6</b>	AISI 316 SS
<b>PV</b>	PVC (Ambient Temp Max 60°C)

**10. Other options**

<b>HL</b>	Helium leak test
<b>WI</b>	Dry seal only without instrument
<b>MT</b>	Material test certificate

**S1**
**3Mtr**
**S6**
**S6**
**MT**

**Ordering Example: WF-S6L-2S6-06BF-S6-PT-S1-3Mtr-S6-S6-MT**

Note: Specification and dimension given in this product catalogue represent the state of engineering at the time on printing, modification may take place and materials specified maybe replaced by others without prior notice.