

# Thermowell

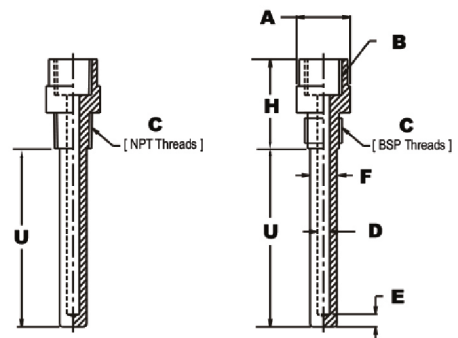
## Bar stock screwed



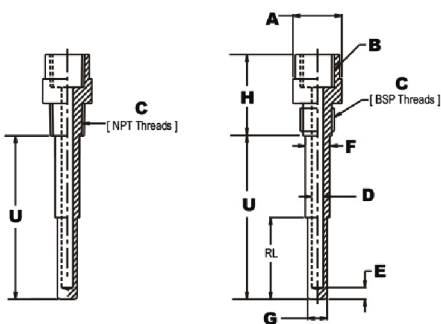
### Features:

- These thermowells are manufactured from solid bar stock and installed into the process with the help of threaded process connection.
- This design is suitable for all types of RTD's, thermocouples, mechanical as well as digital thermometer
- Available in various shapes

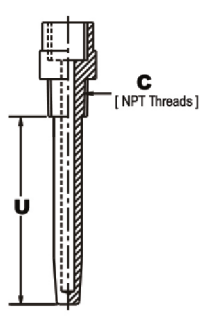
### S - Straight



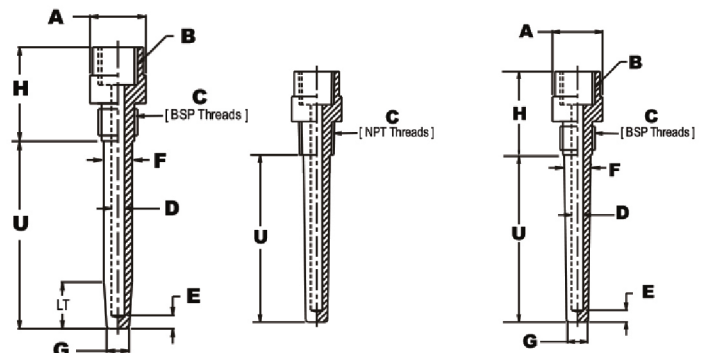
### R - Reduced tip



### P - Partial taper



### F - Full taper



**A** - Finished head size  
**B** - Instrument Connection  
**C** - Process Connection  
**D** - Bore Diameter

**E** - Tip thickness  
**F** - Major diameter  
**G** - Minor diameter  
**H** - Extension length

**U** - Insertion length  
**RL** - Reduced tip length  
**LT** - Taper length

## Ordering codes

<b>1. Material</b>		<b>S6</b>	<b>5. Extension Length "H"</b>	<b>50mm</b>
<b>CS</b>	Carbon steel		Please specify in mm	
<b>S4</b>	AISI 304 SS		<b>6. Bore Diameter "D"</b>	<b>7mm</b>
<b>S6</b>	AISI 316 SS (standard)		Please specify in mm	
<b>S6L</b>	AISI 316L SS		<b>7. Major Diameter "F"</b>	
<b>MO</b>	Monel		<b>For S type</b> Specify in mm	<b>F22</b>
<b>I6</b>	Inconel 600		Major Diameter "F"	OR
<b>I8</b>	Inconel 800		For e.g.: <b>F22</b> for 22 mm	
<b>Br</b>	Brass		<b>For R type</b> Specify in mm	<b>F22</b>
<b>HC</b>	Hestalloid C		Major Diameter of step "F"	<b>-G18</b>
<b>HB</b>	Hestalloid B		For e.g.: <b>F22</b> for 22 mm	<b>-RL100</b>
<b>TI</b>	Titanium	Minor Diameter of step "G"		
<b>TA</b>	Tantalum	For e.g.: <b>G18</b> for 18 mm	OR	
<b>NI</b>	Nickel	Length of step "RL"		
		For e.g.: <b>RL100</b> for 100 mm		
<b>2. Instrument Connection "B"</b>		<b>15BF</b>	<b>For P type</b> Specify in mm	<b>F22</b>
<b>10BF</b>	3/8" BSP[F]		Major Diameter of Taper "F"	<b>-G18</b>
<b>10NF</b>	3/8" NPT[F]		For e.g.: <b>F22</b> for 22 mm	<b>-LT150</b>
<b>10BTF</b>	3/8" BSPT[F]		Minor Diameter of Taper "G"	
<b>15BF</b>	1/2" BSP[F]		For e.g.: <b>G18</b> for 18 mm	OR
<b>15NF</b>	1/2" NPT[F]		Length of Taper "LT"	
<b>15BTF</b>	1/2" BSPT[F]		For e.g.: <b>LT150</b> for 150 mm	
<b>20BF</b>	3/4" BSP[F]		<b>For F type</b> Specify in mm	<b>F22</b>
<b>20NF</b>	3/4" NPT[F]		Major Diameter of Taper "F"	<b>-G18</b>
<b>20BTF</b>	3/4" BSPT[F]		For e.g.: <b>F22</b> for 22 mm	
<b>M18F</b>	M18 x 1.5[F]		Minor Diameter of Taper "G"	
<b>M20F</b>	M20 x 1.5[F]	For e.g.: <b>G18</b> for 18 mm		
	* Without capillary option			
<b>3. Process Connection "C"</b>		<b>10B</b>	<b>8. Tip Thickness "E"</b>	<b>5mm</b>
<b>10B</b>	3/8" BSP[M]		Standard Tip thickness is 5 mm	
<b>10N</b>	3/8" NPT[M]		For others, please specify in mm	
<b>10BT</b>	3/8" BSPT[M]		<b>9. Insertion Length "U"</b>	<b>250mm</b>
<b>15B</b>	1/2" BSP[M]		Please specify in mm	
<b>15N</b>	1/2" NPT[M]		<b>10. Options</b>	<b>LM</b>
<b>15BT</b>	1/2" BSPT[M]		<b>TG</b>	SS tag plate
<b>20B</b>	3/4" BSP[M]		<b>PG</b>	Plug & chain in SS
<b>20N</b>	3/4" NPT[M]		<b>LM</b>	Laser Marking
<b>20BT</b>	3/4" BSPT[M]			
<b>M20</b>	M20 X 1.5[M]			
<b>4. Finished Head Size "A"</b>		<b>28mm</b>		
Please specify in mm				

**Ordering Example: T1-S6-15BF-10B-28mm-50mm-7mm-F22-G18-LT150-5mm-250mm-LM**

Note: Specifications and dimensions given in this product catalogue represents the state of engineering at the time of printing. Modifications may take place and materials specified may be replaced by others without prior notice.