

Needle Valve (hard seat)



Features:

Type needle valves with hard seat are designed for use on applications requiring complete isolation or throttling of the media. The conical metal tip (Stem Type CT) press fitted ensures perfect alignment for positive bubble tight shut-off.

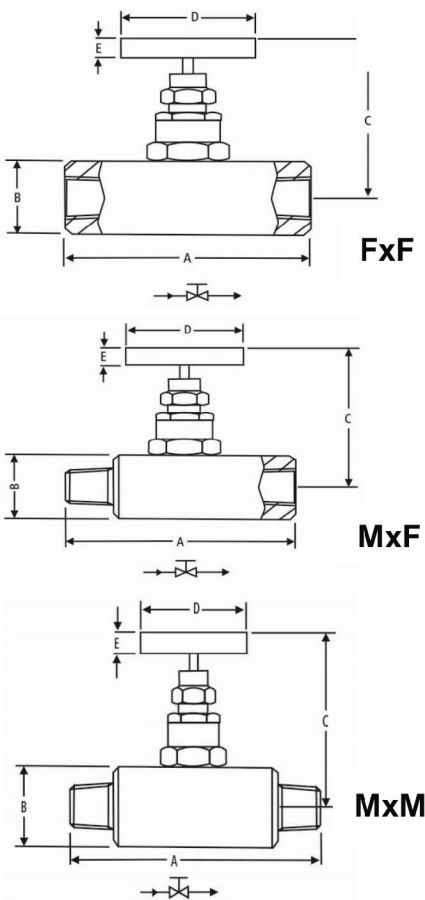
Applications:

- High pressure line shutoff & Instrument Isolation
- Drain valve
- Liquid and vapor service

Standard Parameters:

Design Pressure	: 6000 PSI
Max temp.	: 240 deg C
Material	: Stainless steel
Stem	: (Type CT) Conical tip
Gland Packing	: PTFE
Stem packing area	: Burnished finish for smooth operation
Safety Feature	: Back seating for preventing stem blowout.

Dimensional Drawing



Size	Type	Length A	Width B	Height (open) Max., C	Handle D	Handle OD E
1/8"	FxF	50	22	55	40	10
	MxF	55	22	55	40	10
	MxM	60	22	55	40	10
1/4"	FxF	55	25	65	40	10
	MxF	65	25	65	40	10
	MxM	60	25	65	40	10
3/8"	FxF	55	25	65	40	10
	MxF	65	25	65	40	10
	MxM	65	25	65	40	10
1/2"	FxF	65	32	86.6	55	12.7
	MxF	75	32	86.6	55	12.7
	MxM	70	32	86.6	55	12.7
3/4"	FxF	70	38	88.6	55	12.7
	MxF	75	38	88.6	55	12.7
	MxM	80	38	86.6	55	12.7
1"	FxF	90	45	98	70	12
	MxF	105	45	98	70	12
	MxM	105	45	98	70	12

Ordering codes

1. Body material		S6	4. Options		MT
CS	Carbon Steel		OS	Oxygen Service	
S6	SS 316		MT	Material test certificate	
S4	SS 304		HG	Hydro test Certificate	
Mo4	Monel 400				
Mo5	Monel 500				
HC	Hastelloy C				
2. Stem packing		P			
P	PTFE				
G	Grafoil				
3. Connection		06B.06B			
06B.06B	1/4" [M] x 1/4"[M]				
10B.10B	3/8" [M] x 3/8" [M]				
15B.15B	1/2" [M] x 1/2"[M]				
20B.20B	3/4" [M] x 3/4"[M]				
06BF.06BF	1/4" [F] x 1/4"[F]				
10BF.10BF	3/8" [F] x 3/8" [F]				
15BF.15BF	1/2" [F] x 1/2"[F]				
20BF.20BF	3/4" [F] x 3/4"[F]				
As shown in the examples above the connection can be Male-Male, Male-Female, Female-Female.					

Ordering Example: NV1-S6-P-06B.06B-MT

Note: Specifications and dimensions given in this product catalogue represents the state of engineering at the time of printing. Modifications may take place and materials specified may be replaced by others without prior notice.
