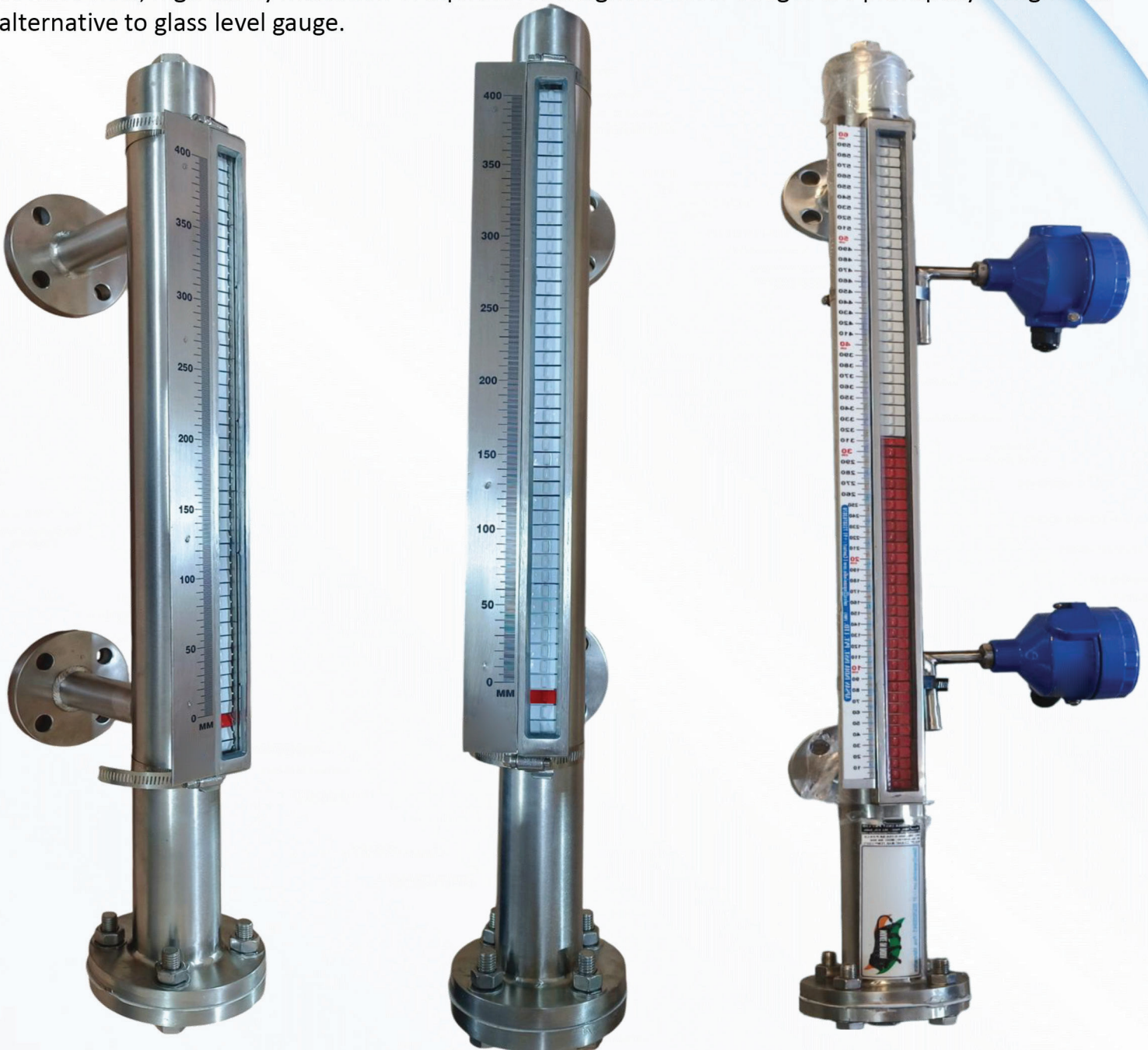


Magnetic Level Gauge

We are introducing our Magnetic Level Indicator to indicate the liquid level inside the tank. It provides clear, high clarity indication of liquid level. Magnetic Level Gauges are principally designed as an alternative to glass level gauge.



Magnetic Level Indicator is a type of field indication and control instrument, which is mounted outside or on the top of the tank to indicate and control the liquid level in the tank/vessel. Magnetic level indicator is suitable to the measurement of the liquid level in open or closed pressure vessel. High temperature, high pressure with high quality of anticorrosive material such as stainless steel SS 304 or SS16.

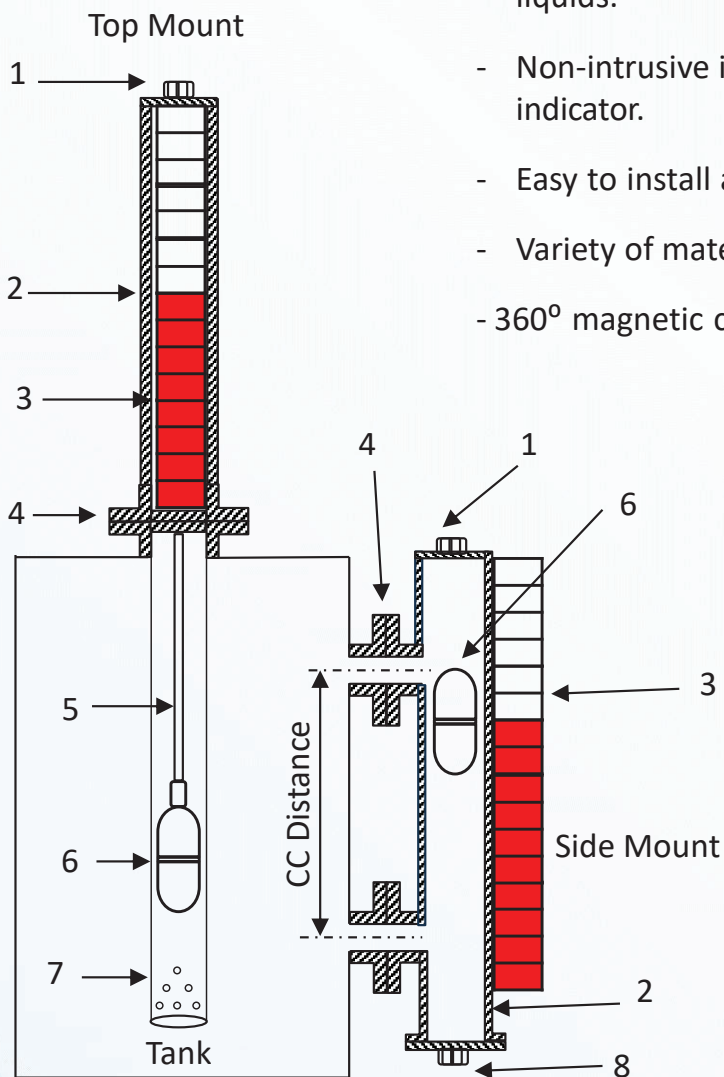
Design & Features

It consists of a non-magnetic chamber housing for a float with an externally clamped indicator strip. The liquid chamber is provided with two process connections for mounting, along with a vent at the top and a drain at the bottom. The indicator strip attached parallel to the chamber and with help of scale we can measure the level inside the tank.

Bi- Color Design - Magnetic Indicator system consists of Bi-Color flapper equipped with magnets mounted inside the flapper. As the level starts rising or falling magnetic float also travels with liquid level in Non-Magnetic chamber. The magnetic interaction between magnets in float & Bi-Color Flappers causes each flapper to rotate 180°.

Silent Features

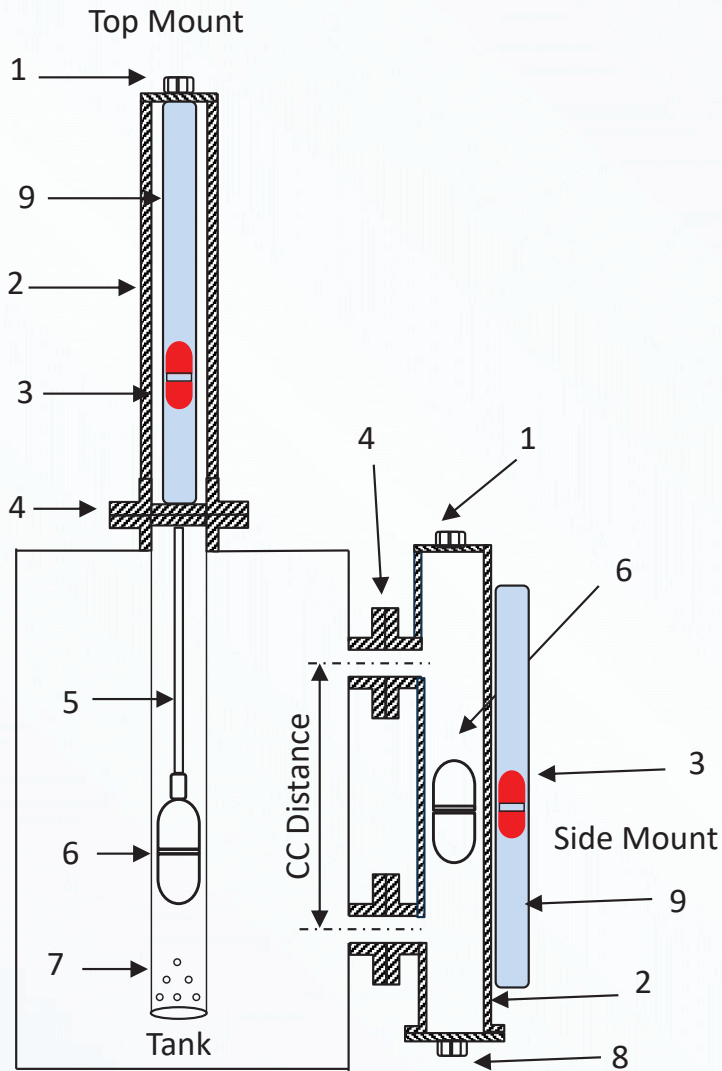
- Safe for corrosive, flammable, high temperature & high- pressure liquids.
- Non-intrusive indication as process liquid not in contact with indicator.
- Easy to install and rugged design with minimal maintenance.
- Variety of materials for chamber to suitable installations.
- 360° magnetic coupling



Product Details

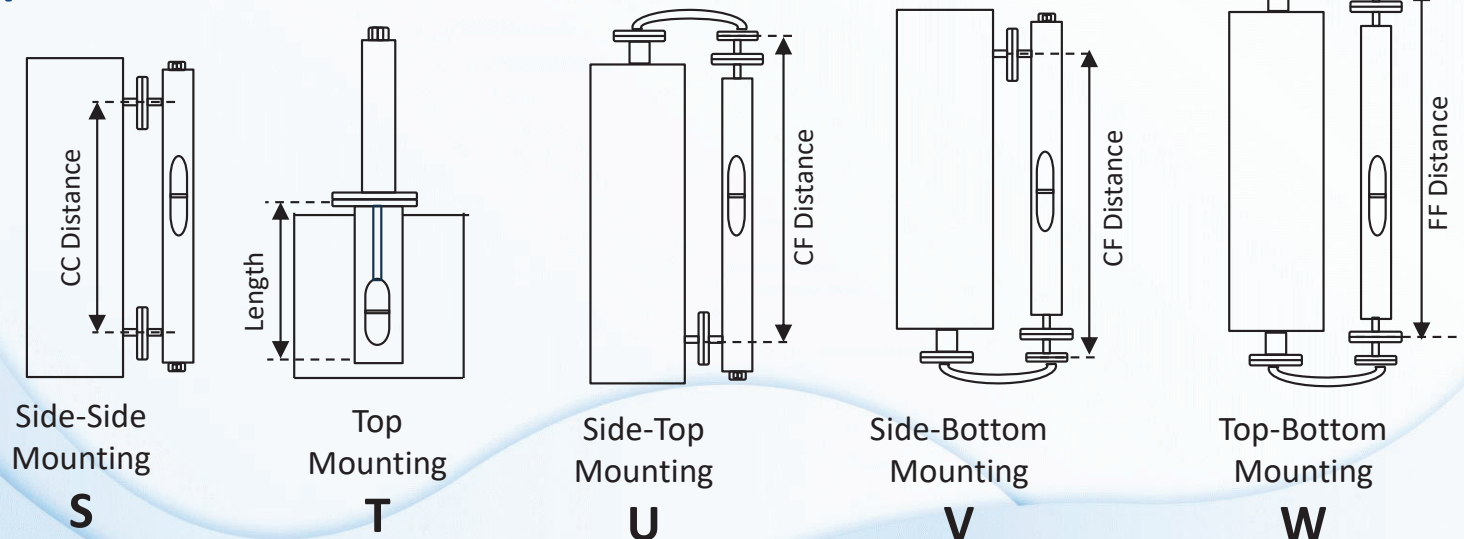
Sr. No.	Part Name
1	Vent Plug
2	Float Chamber
3	Bicolor Flapper
4	Process Connection
5	Float Rod
6	Float
7	Stillwell
8	Drain Plug

Follower Capsule Design – Magnetic Indicator System consists follower Capsule Capsule which moves in glass tube inside the SS channel housing. As the level starts rising or falling magnetic float also travels with liquid level in Non Magnetic chamber. The magnetic interaction between magnets in float & Capsule to travel along with magnetic float.



Product Details	
Sr. No.	Part Name
1	Vent Plug
2	Float Chamber
3	Red Capsule
4	Process Connection
5	Float Rod
6	Float
7	Stillwell
8	Drain Plug
9	Glass Tube

Types Of Installation



Technical Specification

CC Distance Range	300 mm to 5000 mm
Chamber Size X MOC	2" Sch. 10 x SS304/ 316/ 316L/ PP
Float Size X MOC	Ø50 x SS316/ SS316L/ PP
Liquid SG	≥ 0.8 (For ≥ 0.4 SG on request)
Indication Type	Follower Capsule/ Bicolour Flapper/ Bicolour Roller
Process Connection	Flanged/ Screwed/ Socket Weld and other on as per request
Process Connection Types	Side-Side/ Top Side/ Side-Top/ Side-Bottom/ Top-Bottom
Indicator Scale	PVC Sticker/ Acrylic/ Aluminum/ SS304/ SS316
Vent	½" Plugged / ½" Needle Valve / ½" Ball Valve / ½" Gate Valve
Drain	½" Plugged / ½" Needle Valve / ½" Ball Valve / ½" Gate Valve
Max. Temperature	Standard Upto 150°C (Upto 400°C on request)
Max. Pressure	Standard 10 Bar (Upto 100 Bar on request)
Special	PTFE lined on SS304 Wetted Parts - Flange orientation

Optional Accessories

Magnetic Reed Switch 24 VDC/500mA	Epoxy Potted - 1 Aluminum Diecast Weatherproof Enclosure - 2 Aluminum Diecast Flameproof Enclosure - 3
Micro Switch 230 V AC/5A SPDT	Aluminum Diecast Weatherproof Enclosure - 4 Aluminum Diecast Flameproof Enclosure - 5
Magnetic Reed Transmitter	Aluminum Diecast Weatherproof Enclosure with 5 mm Resolution - 6 Aluminum Diecast Weatherproof Enclosure with 10 mm Resolution - 7 Aluminum Diecast Flameproof Enclosure with 5 mm Resolution - 8 Aluminum Diecast Flameproof Enclosure with 10 mm Resolution - 9

Model Identification

MLG -

--	--	--	--	--

1. CC Distance

2. Installation Type

Side-Side Mounting	S
Top Mounting	T
Side-Top Mounting	U
Side-Bottom Mounting	V
Top-Bottom Mounting	W

3. Chamber MOC

SS 304	4
SS 316	6
SS 316L	L
PP (<i>only in S & T installation</i>)	P
PTFE Lined (<i>only in S & T installation</i>)	T
Other	O

4. Process Connection Size

1/2"	A
3/4"	B
1"	C
1-1/2"	D
2"	E
Other	0

5. Process Connection Type

ASME 150# Flange	1
ASME 300# Flange	2
ASME 600# Flange	3
BSP (M) Screwed	4
Triclover Ferrule	5
Other	0

6. Vent X Drain

1/2" NPT Plug X 1/2" NPT Plug	P
1/2" NPT Plug X Ball Valve	PB
Ball Valve X Ball Valve	B
Other	O

7. Indication Type

SS 304 Housing - PP Follower Capsule	P
SS 304 Housing - Plastic Flapper/Roller	Q
SS 304 Housing - SS 304 Flapper	R
SS 304 Housing - SS 304 Flapper - IP66	S
SS 316 Housing - SS 316 Flapper	T
SS 316 Housing - SS 316 Flapper - IP66	V
Other	O

8. Scale Material

PVC Sticker	P
Acrylic	A
SS 304	4
SS 316	6
SS 316	L
Other	O

9. Accessories

Without	W
Magnetic Reed Switch 24 VDC/500mA (Refer Page 4)	
Micro Switch 230 V AC/5A SPDT (Refer Page 4)	
Magnetic Reed Transmitter (Refer Page4)	
Other	0