

Electric contact pressure gauge All stainless-steel construction



Features:

- All SS Case
- All SS Measuring System
- Dry / Liquid filled
- CE Marking

Applications:

- Pumps
- Motors
- Presses
- Hydraulic
- Pneumatic equipment
- Chemicals
- Petrochemical plants
- To control the electrical operation of compressors

Standard:

- EN 837-1

Standard Parameters

Accuracy	: ±1.0% of F. S.
Ambient temperature	: -20 to +65°C
Process temperature	: 100°C max.
Electric wiring	: DIN connector
Contact setting	: Over on arc of 270° through a knob placed on front of lens
Operating Pressure Range	: 75% of the scale value
Over Pressure Limit	: Not suitable

Materials of Construction

Case & bezel	: AISI 304 SS (Bayonet Type)
Bourdon	: AISI 316L SS
Socket	: AISI 316 SS (Directly welded to the case)
Movement	: AISI 304 SS
Joints	: Tig Argon Arc Welding
Protection	: IP 65
Dial	: Aluminium, black graduation on white background
Pointer	: Aluminium, black coloured, micro-zero adjustable
Window	: Poly carbonate dome
Blow off disc	: Neoprene
Gasket & Filling Plug	: Neoprene

Dielectric oil Filled Version

Accuracy	: ±1.6% of F.S.
Ambient & Process Temperature	: Maximum 65°C
Window	: Poly carbonate dome
Dampening Liquids	: Dielectric Oil

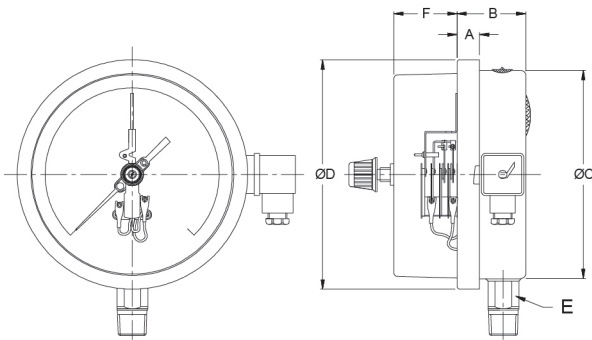
Temperature Effect

The variation of indication caused by effects of temperature is to be calculated by below formula which is to be added in the specific accuracy while measurement:

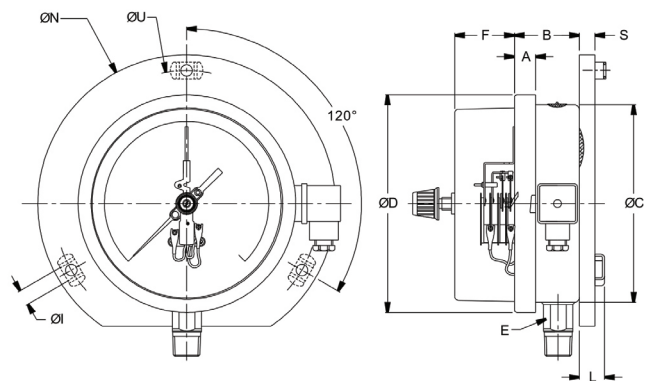
Formula $\pm 0.04 \times (t_2 - t_1) \% \text{ of F.S.}$

where t1: reference temperature (+20°C) and t2: ambient temperature in °C.

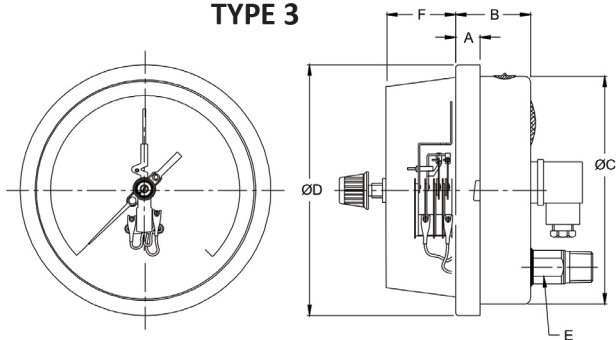
Dimensional drawing

TYPE 1


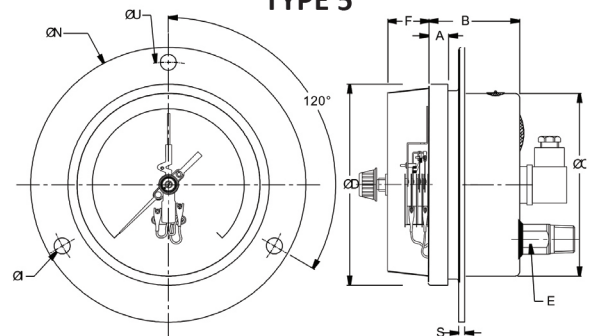
NS	A	B	ØC	ØD	E	F	Weight in gram
100	12.5	47	100	111	22	44	800
150	15	49	149	161	22	44	1200

TYPE 2


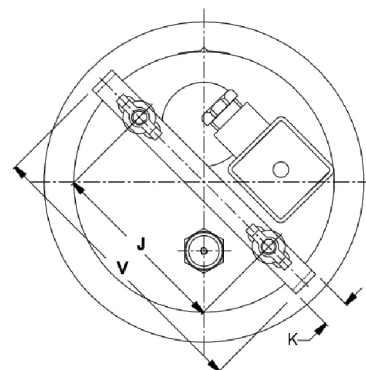
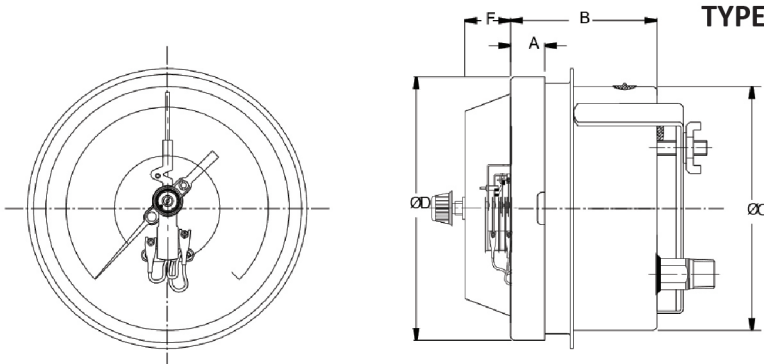
NS	A	B	ØC	ØD	E	F	ØI	ØN	ØU	L	S	Weight in grams
100	12.5	45	100	111	22	44	6	134	118	14.5	6	890
150	15	46.5	149	161	22	44	6	186	186	14.5	6	1370

TYPE 3


NS	A	B	ØC	ØD	E	F	Weight in gram
100	12.5	47	100	111	22	44	790
150	15	49	149	161	22	44	1140

TYPE 5


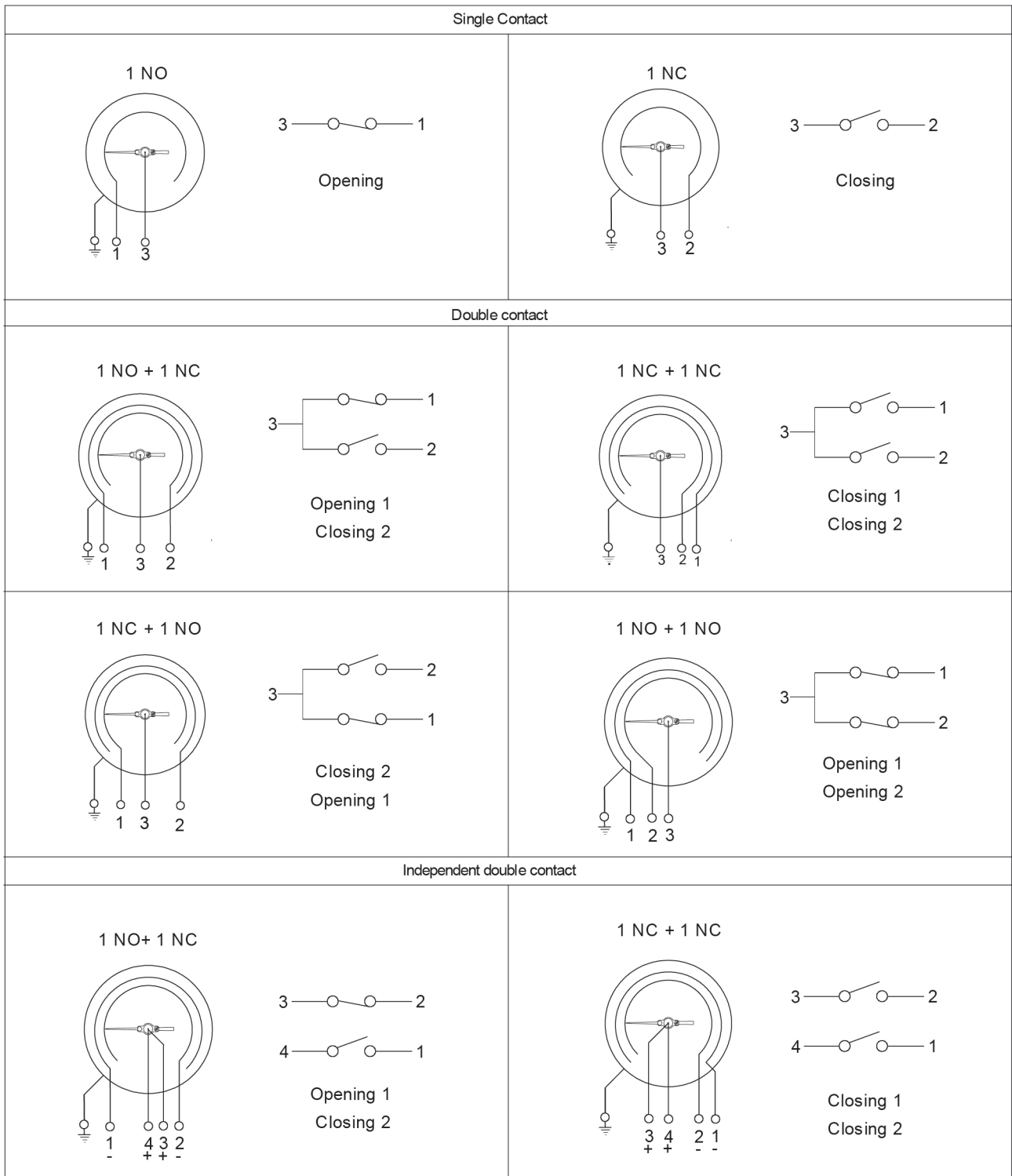
NS	A	B	ØC	ØD	E	F	ØI	ØN	ØU	Weight in gram
100	12.5	47	100	111	A/F 22	44	6	134	118	860
150	15	49	149	161	A/F 22	44	6	186	168	1300

TYPE 8


NS	A	B	ØC	ØD	E	F	J	K	V	Weight in gram
100	12.5	47	100	111	A/F 22	44	72	16	108	870
150	15	49	149	161	A/F 22	44	106.5	16	166	1240

Note: ● Drawings are not to scale ● All dimensions are in mm

Wiring diagram for electric contact



Range table

Note: We offer Pressure, Vacuum and Compound ranges in Scales like kPa, MPa, bar, psi, kg/cm² & dual Scale like kPa with psi, kPa with bar, bar with psi or scales as per the requirement can be provided on request. Following are the example tables for kg/cm² & psi scales

Pressure Table

Pressure - single scale (Kg/cm² or bar)

Compound – single scale (kg/cm² or bar)

0/1.6	0/10	0/60	0/400		
0/2.5	0/16	0/100	0/600		-1/5
0/4	0/25	0/160	0/1000		-1/9
0/6	0/40	0/250	0/1600		-1/15

Dual scale (psi with Kg/cm²)

psi	kg/cm ²	psi	kg/cm ²	psi	kg/cm ²	psi	kg/cm ²
0/25	0/1.6	0/220	0/16	0/1500	0/100	0/10000	0/700
0/35	0/2.5	0/300	0/20	0/2200	0/160	0/15000	0/1000
0/60	0/4	0/400	0/28	0/3000	0/200	0/22000	0/1600
0/100	0/7	0/600	0/40	0/4000	0/280		
0/150	0/10	0/1000	0/70	0/6000	0/400		

Accessories

Cooling Tower	Overload Protector (Gauge Saver)	Snubber
Gauge Cock	Needle Valve	Siphon

Ordering codes

1. Dial Size		E	4. Gauge Connection		10B
Code	Nominal size		10B	3/8" BSP[M] standard	
E	4" [100mm]	1	15B	1/2" BSP[M] standard	
G	6" [150mm]		06N	1/4" NPT[M]	
2. Mounting			15N	1/2" NPT[M] standard	
1	Direct bottom		15BT	1/2" BSPT[M]	
2	Bottom surface		M20	M20 X 1.5[M]	
3	Direct lower back entry	5. Options		5C	
5	Flush back panel with front flange	S6	AISI 316 SS case & bezel		
8	Back entry with mounting bracket	5C	Five-point calibration certificate		
*Ask factory if drawing required		DS	Dampening screw in AISI 316 SS		
3. Electric Contacts		ST	SS tag plate		
SB	Single; normally closed (1 NC)	DT	Dial tag marking		
DBM	Double; normally closed + normally opened (1 NC + 1 NO)	CD	Custom designed dial		
SM	Single; normally open (1 NO)	TI	Monel bourdon & socket		
DMB	Double; normally open + normally closed (1 NO + 1 NC)	DM	Dampening screw in Monel		
D2B	Double; normally closed (2 NC)	MT	Material test certificate**		
D2M	Double; normally open (2 NO)	HL	Helium leak test		
BO	Booster with relay for current up to 5 Amps	NT	Calibration certificate with NABL traceability		
		VS	Internal vacuum stop		
		6. Range		0-10 Kg/cm²	
		Refer range table			

Ordering Example: IE-E-1-DMB-10B-5C-0-10Kg/cm²

Note: Specifications and dimensions given in this product catalogue represents the state of engineering at the time of printing. Modifications may take place and materials specified may be replaced by others without prior notice.