

# Homogenizer Gauge 4" (100 mm)



### Features:

- CE approved
- Fillable version facilitates usage in vibration zones to avoid damage to its mechanism.
- Suitable to use in dairy homogenizer machines
- Electrical contact option available

### Applications:

- Dairy
- Food & Beverage
- Pharmaceutical

### Standard Parameters

Accuracy	: ±1.6% of F. S.
Ambient temperature	: -25 to +65°C
Process temperature	: 120°C max.
Operating Pressure Range	: 75% of the scale value

### Materials of Construction

Case & bezel	: AISI 304 SS
Bourdon	: AISI 316L SS
Socket	: AISI 316 SS (Directly welded to the case)
Movement	: AISI 304 SS
Diaphragm	: AISI 316L SS
Body	: AISI 316 SS
Joints	: Tig Argon Arc Welding
Protection	: IP 65
Dial	: Aluminium, black graduation on white background
Pointer	: Aluminium, black coloured, slotted zero adjustable
Window	: Shatter Proof
Filling Plug & gasket	: Neoprene
Blow off disk	: Neoprene
Dampening liquid	: Glycerine [99.7%]

### Electric Contact Dry Version

Accuracy	: ±2.5% of F.S.
Ambient & Process Temperature	: Maximum 65°C
Window	: Polycarbonate Dome
Dampening Liquids	: Dielectric Oil [optional]

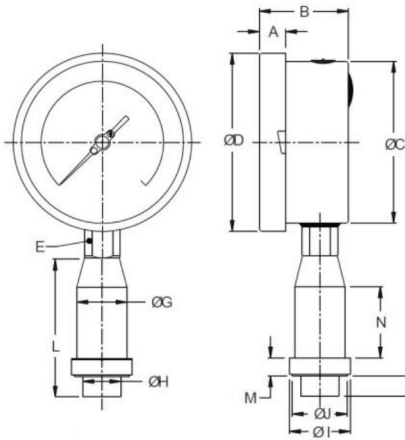
### Temperature Effect

The variation of indication caused by effects of temperature is to be calculated by below formula which is to be added in the specific accuracy while measurement:

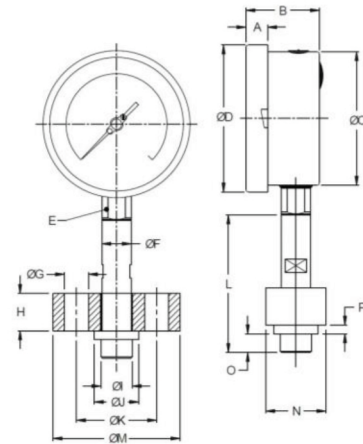
Formula  $\pm 0.08 \times (t_2 - t_1) \% \text{ of F.S.}$

where t1: reference temperature (+20°C) and t2: ambient temperature in °C.

## Dimensional drawing

**TYPE H1**


NS	A	B	ØC	ØD	E	ØG	ØH	ØI	ØJ	K	L	M	N	O
100	12.5	47	100	111	22	31	23.5	37.5	34	10	89.5	10	34	24.2

**TYPE H2**


NS	A	B	ØC	ØD	E	ØF	ØG	H	ØI	ØJ	ØK	L	ØM	N	O	P
100	12.5	47	100	111	22	22	18	28	24	35	60	90	95	45	13	6.5

## Ordering Codes

**1. Dial Size\***
**Code Nominal size**
**E** 100mm

\*Note: other dial size can be provided on request

**2. Mounting**
**1** Direct bottom

**3. Gauge Connection**
**H1** Without flange

**H2** With flange

**4. Range#**
**0/160** 160Kg/cm<sup>2</sup>
**0/250** 250Kg/cm<sup>2</sup>
**0/400** 400Kg/cm<sup>2</sup> (Standard)

**0/600** 600Kg/cm<sup>2</sup>
**0/1000** 1000Kg/cm<sup>2</sup>
**0/1600** 1600Kg/cm<sup>2</sup>

#Note: Other ranges along with units like bar also available

**E**
**1**
**H1**
**0/400**  
**Kg/cm<sup>2</sup>**
**5. Filling fluid**
**LG** Glycerine [10° to 150° C]

**FG** Food grade oil [-20° to 140°C]

**LG**
**6. Optional Extras**
**5C** Five-point calibration certificate

**ST** SS Tag plate

**MP** Maximum reading pointer with plexi glass (for dry version only)

**CD** Custom designed dial

**MT** Material test certificate\*\*

**DO** Dielectric oil filled

\*\*Note: Material test certificate will be provided for wetted parts only with chemical composition testing.

**5C**
**7. Capillary Covered with armour**
**S6** AISI 316 SS Capillary with AISI 304 armour

**S6**
**8. Remote Mounting**

Please specify in meters

**1M**
**Ordering Example: HG-E-1-H1-0/400Kg/cm<sup>2</sup>-LG-5C-S6-1M**

Note: Specifications and dimensions given in this product catalogue represents the state of engineering at the time of printing. Modifications may take place and materials specified may be replaced by others without prior notice.

Note: ● Drawings are not to scale ● All dimensions are in mm