

Diaphragm seal

Flush diaphragm, sanitary type


Features:

- All 316 stainless steel
- Laser welded flush diaphragm
- Quick connect / disconnect for easy cleaning
- Matching DIN, SMS, RJT etc. standards.

Applications:

- Diaphragm seals are designed to isolate the sensing element of pressure gauges and pressure switches from process fluids that they may be corrosive, viscous, sedimentous and / or with a high temperature.

Standard Parameters

- Range : Refer range table with nominal sizes
- Process temperature : 10°C to 150°C or as per fill fluid
- Instrument connection : 1/2" BSP[F]
- Process connection : As per DIN 11851, SMS, RJT, IDF
- Mounting : Direct (without capillary)

Materials of Construction

- Diaphragm : AISI 316L SS
- Unit nut : AISI 316 SS
- Body : AISI 316 SS
- Fill fluid : Glycerine

Dimensional drawing

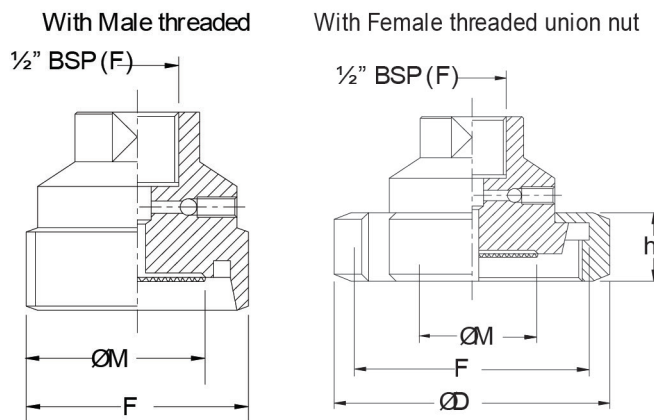
DIN 11851		
DN	M	F (DIN 405)
25*	20	Rd 52 x 1/6
32	30	Rd 58 x 1/6
40	30	Rd 65 x 1/6
50	40	Rd 78 x 1/6

*Connection 1/4" BSP (F)

SMS		
DN	M	F (DIN 405)
1 1/2"	30	Rd 60 x 1/6
2"	40	Rd 70 x 1/6

RJT/APV		
DN	M	F (Whitworth)
1 1/2"	30	2" 5/16 x 8
2"	40	2" 7/8 x 6

IDF/ISS		
DN	M	F (Whitworth)
1 1/2"	29	2" 1/32 x 8
2"	36	2" 9/16 x 8



DIN 11851				
DN	h	D	M	F (DIN 405)
25*	21	63	30	Rd 52 x 1/6
32	21	70	30	Rd 58 x 1/6
40	21	78	40	Rd 65 x 1/6
50	22	92	50	Rd 78 x 1/6

*Connection 1/4" BSP (F)

SMS				
DN	h	D	M	F (DIN 405)
1 1/2"	25	74	30	Rd 60 x 1/6
2"	26	84	40	Rd 70 x 1/6

RJT/APV				
DN	h	D	M	F (Whitworth)
1 1/2"	22	Hex. 65	30	2" 5/16 x 8
2"	22	Hex. 79	40	2" 7/8 x 6

IDF/ISS				
DN	h	D	M	F (Whitworth)
1 1/2"	30	64	30	2" 1/32 x 8
2"	30	77	40	2" 9/16 x 8

Note: ● Drawings are not to scale ● All dimensions are in mm

Range Table with Nominal Sizes

Nominal Size of Gauge	50 & 63 mm	50 & 63 mm	50, 63, 100 & 150 mm	50, 63, 100 & 150 mm
Connection Standard	DIN/ IDF/ ISS	DIN/ IDF/ ISS/ SMS/ RJT	DIN/ IDF/ ISS/ SMS/ RJT	DIN
Connection Size	25 mm (1")	32 mm (1.5")	40 mm (2")	50 mm
Ranges (bar)				
1.6	✓	✓	✓	✓
2	✓	✓	✓	✓
4	✓	✓	✓	✓
7	✓	✓	✓	✓
10	✓	✓	✓	✓
14	✓	✓	✓	✓
16	✓	✓	✓	✓
21	✓	✓	✓	✓
25	X	X	✓	✓
28	X	X	✓	✓
40	X	X	✓	✓
-1 to 4	X	✓	✓	✓
-1 to 7	X	✓	✓	✓
-1 to 10	X	✓	✓	✓
-1 to 14	X	✓	✓	✓
-1 to 21	X	✓	✓	✓

Ordering Codes

1. Process Connection Type	M	8. Bottom Mating Part (male or female)	MD25
M With male threaded connection		MD Male - DIN (25, 32, 40 or 50mm)	
F With Female threaded Union Nut		MS Male - SMS (1½" or 2")	
2. Process Connection Standard & Size	D25	MR Male - RJT/APV (1½" or 2")	
D DIN (25, 32, 40 or 50mm)		MI Male - IDF/ISS (1½" or 2")	
S SMS (1½" or 2")		FD Female - DIN (25, 32, 40 or 50mm)	
R RJIT/APS (1½" or 2")		FS Female - SMS (1½" or 2")	
I IDF/ISS (1½" or 2")		FR Female - RJT/APV (1½" or 2")	
Example: D25 or S1½"		FI Female - IDF/ISS (1½" or 2")	
3. Instrument Connection	15BF	Example: MD25 or FS 1½"	
06BF 1/4" BSP[F]#		9. Remote Mounting*	2Mtr
06NF 1/4" NPT[F]		Specify in Meters	
15BF 1/2" BSP[F] (Standard)		*With capillary of max up to 2 Meters	
15NF 1/2" NPT[F]		10. Capillary	S4
#Standard for DIN 25 & NS 50 & 63mm		S4 AISI 304 SS	
4. Diaphragm	S6L	S6 AISI 316 SS	
S6L AISI 316L SS (Standard)		11. Capillary covered with armour*	S4
5. Filling fluid	FG	S4 AISI 304 SS	
LG Glycerine [10°C to 150°C]		S6 AISI 316 SS	
FG Food grade oil [-20°C to 140°C]		PV PVC (Ambient Temp. Max. 60°C)	
LP Liquid Paraffin [10 to 200°C]		*Applicable with capillary option if applied	
6. Body	S6	12. Other Options	MT
S6 AISI 316 SS (Standard)		HL Helium leak test	
S6L ASI 316L SS		WI Dry Seal Only Without Instrument	
7. Gasket Material	SI	MT Material Test Certificates*	
SI Silicon		*Material test certificates will be provided for wetted parts only with chemical composition testing. For others, please consult factory.	
PT PTFE			

Ordering example: FS-M-D25-15BF-S6L-FG-S6-SI-MD25-2MTR-S4-S4-MT

Note: Specifications and dimensions given in this product catalogue represents the state of engineering at the time of printing. Modifications may take place and materials specified may be replaced by others without prior notice.