

Diaphragm seal Flange insert type



Features:

- Welded diaphragm
- Most suitable for slurry & corrosive services.
- Flushing ring, flange & diaphragm are available in various types of SS & exotic material.

Applications:

- Diaphragm seals are designed to isolate the sensing element of pressure gauges and pressure switches from process fluids that they may be corrosive, viscous, sedimentous and / or with a high temperature.

Standard Parameters

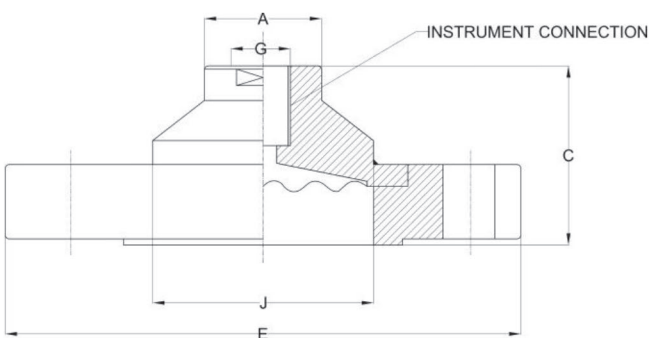
Seal type & Range	: T26 = -1 to 0 kg/cm ² & 0 to 250 kg/cm ² (Non-PTFE Lined) *(Standard)
	: T27 = -1 to 0 kg/cm ² & 0 to 40 kg/cm ² (PTFE Lined) *
Process temperature	: - 40 °C to 200 °C for without PTFE lined
Instrument connection	: 1/2" BSP[F]
Process connection	: Flange (As per DIN/BS/ANSI/JIS), 25 NB (1") & above
Fill fluid	: Silicon Oil - DC 200
Flange finish	: 125-250 AARH

Materials of Construction

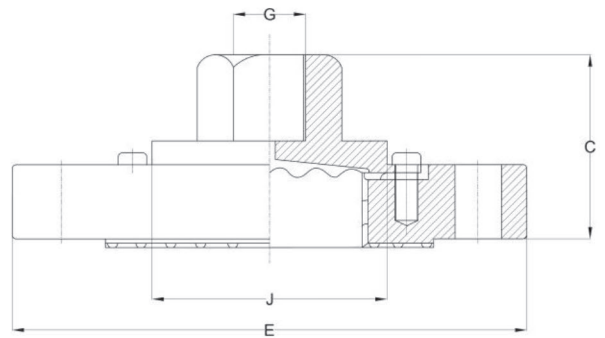
Diaphragm	: AISI 316L SS
Top chamber	: AISI 304 SS
Flange	: AISI 316 SS

Dimensional drawing

Type T26



Type T27



A	C	E	G	J
30	44.5	**	½" NSP[F]	***

** As per standard flange table ANSI, DIN, BS, JIS, Etc.
*** Diaphragm dia to suit flange

Note: ● Drawings are not to scale ● All dimensions are in mm

Flange Table

How To Select

E.g. For flange size of 1 1/2" 150# as per ANSI B 16.5 with raised face : B33 - A2

A2 Raised Face

A3 Flat Face

Flange Finish shall be 125 - 250 AARRH as a standard. For other finish, please consult factory.

As Per DIN 2527

DN	PN	CODE
25	6	A26
	10	A27
	16	A28
	25	A29
	40	A30
	64	A31
	100	A32
	160	A33
	250	A34
400	A35	
40	6	A41
	10	A42
	16	A43
	25	A44
	40	A45
	64	A46
	100	A47
	160	A48
	250	A49
	400	A50
	6	A51
	10	A52
16	A53	
25	A54	
40	A55	
64	A56	
100	A57	
160	A58	
250	A59	
400	A60	

DN	PN	CODE
65	6	A61
	10	A62
	16	A63
	25	A64
	40	A65
	64	A66
	100	A67
	160	A68
	250	A69
400	A70	
80	6	A71
	10	A72
	16	A73
	25	A74
	40	A75
	64	A76
	100	A77
	160	A78
	250	A79
	400	A80

As Per DIN 2642

DN	PN	CODE
25	10	A93
40		A95
50		A96
65		A97
80		A98

As Per DIN 2635

DN	PN	CODE
25	40	B03
40		B05
50		B06
65		B07
80		B08

As Per BS - 10

NOMINAL SIZE	TABLE	CODE
1"	D	B96
	E	B97
	F	B98
	H	B99
	J	C01
1½"	K	C02
	D	C09
	E	C10
	F	C11
	H	C12
2"	J	C13
	K	C14
	D	C15
	E	C16
	F	C17
	H	C18
	J	C19
	K	C20

NOMINAL SIZE	TABLE	CODE
2½"	D	C21
	E	C22
	F	C23
	H	C24
	J	C25
3"	K	C26
	D	C27
	E	C28
	F	C29
	H	C30
J	C31	
K	C32	

As Per DIN 2633

DN	PN	CODE
25	16	A84
40		A86
50		A87
65		A88
80		A89

As Per JIS - B 2210

NOMINAL SIZE	RATING /CLASS	CODE
25A	5K	B66
	10K	B67
	40K	B68
40A	5K	B72
	10K	B73
	40K	B74
50A	5K	B75
	10K	B76
	40K	B77
65A	5K	B78
	10K	B79
	40K	B80
80A	5K	B81
	10K	B82
	40K	B83

As Per ANSI B 16.5

NOMINAL SIZE	RATING /CLASS	CODE	NOMINAL SIZE	RATING /CLASS	CODE
1"	150	B21	2½"	150	B45
	300	B22		300	B46
	600	B23		600	B47
	900	B24		900	B48
	1500	B25		1500	B49
	2500	B26		2500	B50
1 ½"	150	B33	3"	150	B51
	300	B34		300	B52
	600	B35		600	B53
	900	B36		900	B54
	1500	B37		1500	B55
	2500	B38		2500	B56
2"	150	B39			
	300	B40			
	600	B41			
	900	B42			
	1500	B43			
2500	B44				

Ordering Codes

1. Type <hr/> T26 -1 to 0 kg/cm ² & 0 to 250 kg/cm ² (Non-PTFE Lined) (Standard) T27 -1 to 0 kg/cm ² & 0 to 40 kg/cm ² (PTFE Lined)	T06	7. Protection on wetted parts <hr/> PL PTFE Lining on Bottom Chamber - 2 mm THICK (Max. Up to 150 °C) PT PTFE Protection for Diaphragm (Max. Up to 150 °C) (Suitable for Pressure Ranges only) PC PTFE Coating on Diaphragm (Max. Up to 315 °C)	PL
2. Instrument Connection <hr/> 10BF 3/8" BSP [F] 15BF 1/2" BSP [F](Standard) 15NF 1/2" NPT [F]	15BF	8. Filling Fluids <hr/> S1 Silicon DC 200 [-40 to 205°C] S2 Silicon DC 704 [10 to 337°C] S3 Silicon DC 710 [7 to 371°C] FG Food Grade Oil [-20 to 140°C]	FG
3. Top Chamber <hr/> S4 AISI 304 SS (Standard) S6 AISI 316 SS S6L AISI 316L SS CS Carbon Steel	S6	9. Remote Mounting* <hr/> Specify in Meters *with capillary of max up to 6 Meters	3Mtr
4. Diaphragm <hr/> S6L AISI 316L SS (Standard) MO MONEL HC Hastelloy 'C' SL Silver* IN Inconel 600 TI Titanium TN Tantalum PT PTFE*	S6	10. Capillary <hr/> S4 AISI 304 SS S6 AISI 316 SS	S4
5. Flange Material <hr/> S4 AISI 304 SS S6L AISI 316L SS CS Carbon Steel Mo Monel TI Titanium HC Hastelloy C S6 AISI 316 SS (Standard) TN Tantalum	TF	11. Capillary covered with armour* <hr/> S4 AISI 304 SS S6 AISI 316 SS PV PVC (Ambient Temp. Max. 60°C) *Applicable with capillary option if applied	S4
6. Process Connection <hr/> As per DIN / BS / ANSI / JIS (Select code from flange table)	A55	12. Other Options <hr/> HL Helium leak test WI Dry Seal Only Without Instrument MT Material Test Certificates* *Material test certificates will be provided for wetted parts only with chemical composition testing. For others, please consult factory.	MT

Ordering example: FI-T06-15BF-S6-S6-TF-A55-PL-FG-3Mtrs-S4-S4-MT

Compatible Model: IP, IE

Note:

1. It is recommended that the MOC of the diaphragm be equivalent or superior than the MOC of the bottom chamber.
2. Specifications and dimensions given in this product catalogue represents the state of engineering at the time of printing. Modifications may take place and materials specified may be replaced by others without prior notice.