

Bourdon tube pressure gauge

All stainless-steel compact case



Features:

- Cost effective
- Sleek design
- Dry / Liquid filled

Applications:

- Suitable for clean air & gaseous or liquid media that will not obstruct the pressure system.

Standard:

EN 837-1

Standard Parameters

Accuracy	: ±1.6% of F. S.	
Ambient temperature	: -20 to +65°C	
Process temperature	: 180°C max.	
Operating Pressure Range	: 75% of the scale value	
Over Pressure Limit	: ≤ 100 bar	: 125% of Max. Scale Value
	: > 100 to ≤ 600 bar	: 115% of Max. Scale Value

Materials of Construction

Case & bezel	: AISI 304 SS
Bourdon	: AISI 316L SS
Socket	: AISI 316 SS
Movement	: AISI 304 SS
Joints	: Tig Argon Arc Welding
Protection	: IP 65
Dial	: Aluminium, black graduation on white background
Pointer	: Aluminium, black coloured, slotted zero adjustable
Window	: Sheet glass
Filling Plug	: Neoprene
Gasket	: Neoprene

Glycerine Filled Version

Accuracy	: ±1.6% of F.S.
Ambient & Process Temperature	: Maximum 65°C
Window	: Plexi Glass
Dampening Liquids	: Glycerine 99.7%

Temperature Effect

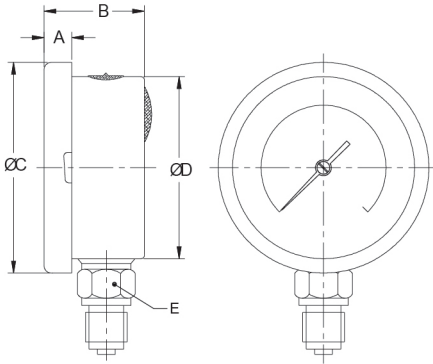
The variation of indication caused by effects of temperature is to be calculated by below formula which is to be added in the specific accuracy while measurement:

Formula $\pm 0.04 \times (t_2 - 1) \% \text{ of F.S.}$

where t1: reference temperature (+20°C) and t2: ambient temperature in °C.

Dimensional drawing

TYPE 1

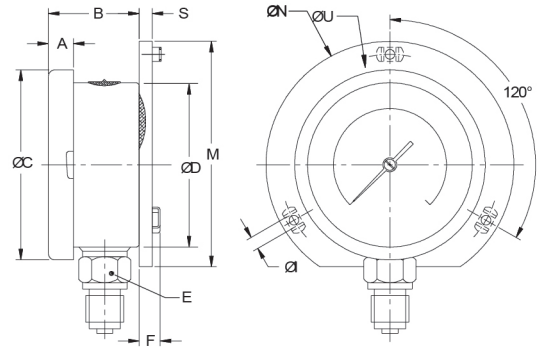


Bayonet Type (Standard)

NS	A	B	ØD	ØC	E	W
100	12.5	39	100	110	A/F 17	420

W = Weight in grams with box

TYPE 2

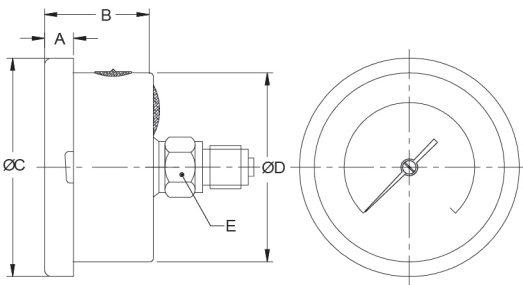


Bayonet Type (Standard)

NS	A	B	ØD	ØC	E	M	S	F	ØI	ØN	ØU	W
100	12.5	39	100	110	A/F 17	128	6	14.5	6	134	118	530

W = Weight in grams with box

TYPE 4

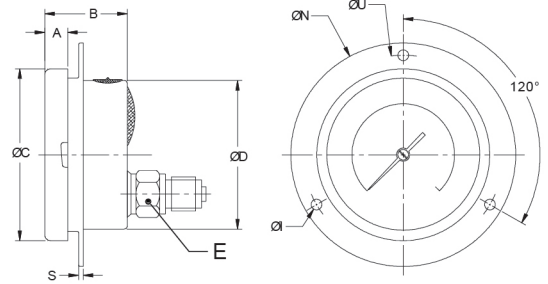


Bayonet Type (Standard)

NS	A	B	ØD	ØC	E	W
100	12.5	39	100	110	A/F 17	440

W = Weight in grams with box

TYPE 5

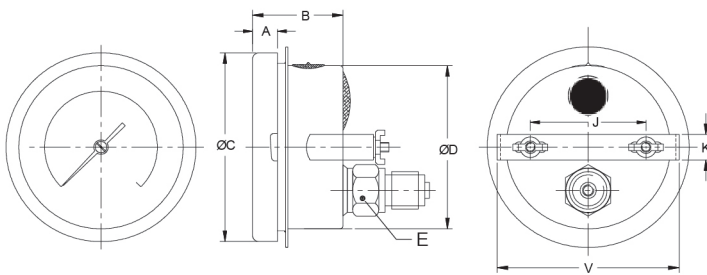


Bayonet Type (Standard)

NS	A	B	ØD	ØC	E	S	F	ØI	ØN	ØU	W
100	12.5	39	100	110	A/F 17	6	14.5	6	134	118	510.0

W = Weight in grams with box

TYPE 8

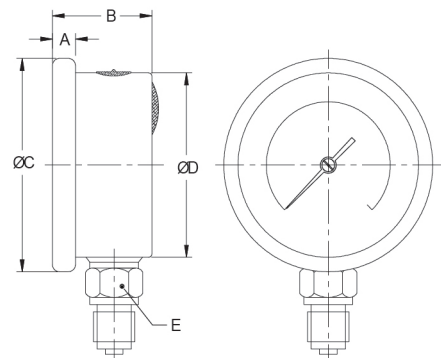


Bayonet Type (Standard)

NS	A	B	ØD	ØC	E	J	K	V	W
100	12.5	39	100	110	A/F 17	66.5	16	106	550

W = Weight in grams with box

TYPE 1



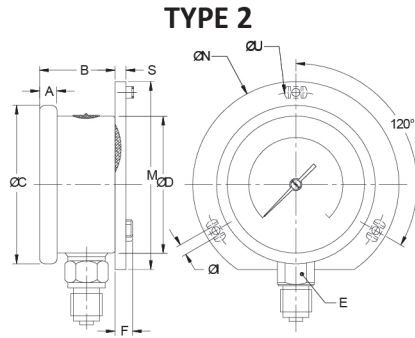
Rolling Type (Option)

NS	A	B	ØD	ØC	E	W
100	7	35.5	100	110	A/F 17	405

W = Weight in grams with box

Note: ● Drawings are not to scale ● All dimensions are in mm

Dimensional drawing

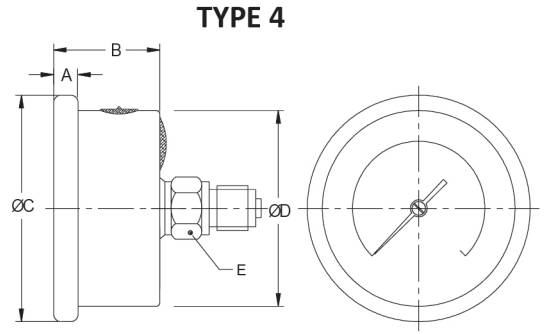


TYPE 2

Rolling Type (Option)

NS	A	B	ØD	ØC	E	S	F	ØI	ØN	ØU	W
100	12.5	39	100	110	A/F 17	6	14.5	6	134	118	495

W = Weight in grams with box

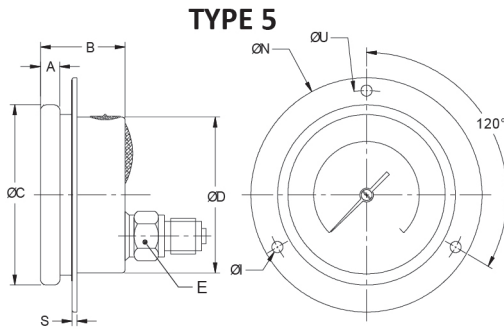


TYPE 4

Rolling Type (Option)

NS	A	B	ØD	ØC	E	W
100	7	35.5	100	110	A/F 17	410

W = Weight in grams with box

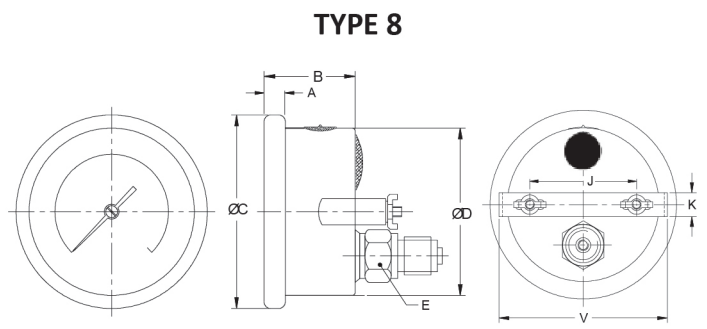


TYPE 5

Rolling Type (Option)

NS	A	B	ØD	ØC	E	S	ØI	ØN	ØU	W
100	7	35.5	100	110	A/F 17	1	6	134	118	490

W = Weight in grams with box



TYPE 8

Rolling Type (Option)

NS	A	B	ØD	ØC	E	J	K	V	W
100	7	35.5	100	110	A/F 17	66.5	16	106	500

W = Weight in grams with box

Note: ● Drawings are not to scale ● All dimensions are in mm

Range table

Note: We offer Pressure, Vacuum and Compound ranges in Scales like kPa, MPa, bar, psi, kg/cm² & dual Scale like kPa with psi, kPa with bar, bar with psi or scales as per the requirement can be provided on request. Following are the example tables for kg/cm² & psi scales

Pressure Range

Single scale with Kg/cm²

0/1	0/4	0/16	0/60	0/250
0/1.6	0/6	0/25	0/100	0/400
0/2.5	0/10	0/40	0/160	

Dual scale (psi with Kg/cm²)

psi	kg/cm ²	psi	kg/cm ²	psi	kg/cm ²
0/15	0/1	0/300	0/20	0/2200	0/160
0/30	0/2	0/400	0/28	0/3000	0/200
0/60	0/4	0/500	0/35	0/4000	0/280
0/100	0/7	0/600	0/40	0/5000	0/350

0/150	0/10	0/1000	0/70	0/6000	0/400
0/220	0/16	0/1500	0/100		

Vacuum and Compound Range

Dual scale

inHg with psi	mmHg with kg/cm ²	inHg with psi	mmHg with kg/cm ²	inHg with psi	mmHg with kg/cm ²
- 30/0	- 760 / 0	- 30/60	- 760 / 3	- 30/200	- 760 / 15
- 30/15	- 760 / 1	- 30/100	- 760 / 6	- 30/300	- 760 / 20
- 30/30	- 760 / 2	- 30/150	- 760 / 9	- 30/350	- 760 / 24

Single scale Kg/cm²

- 1/0	-1/1.5	- 1/5	- 1/15
- 1/0.6	-1/3	- 1/9	- 1/24

Ammonia (with temperature scale)

Range (kg/cm ²)	Range (psi)
-1 to 12.5	-30 - 150
-1 to 16	-30 - 300
-1 to 25	0 - 300

Accessories

Cooling Tower	Overload Protector (Gauge Saver)	Snubber
Gauge Cock	Needle Valve	Siphon

Ordering codes

1. Dial Size		E	4. Options		5C
Code	Nominal size		5C	Five-point calibration certificate	
E	100mm	1	PG	Plexi glass	0-10 Kg/cm²
2. Mounting			OS	Oxygen service (for dry version)	
1	Direct bottom		FL	Fillable liquid	
2	Bottom surface		LG	Dampening liquid glycerine filled	
4	Direct center back entry		ST	SS tag plate	
5	Flush back panel with front flange	CD	Custom designed dial		
8	Back entry with mounting bracket	AR	Ammonia range (with temperature scale)		
*Ask factory if drawing required		10B	5. Range		0-10 Kg/cm²
3. Gauge Connection			Refer range table		
06B	1/4" BSP[M]				
10B	3/8" BSP[M] standard				
15B	1/2" BSP[M]				
06N	1/4" NPT[M]				
10N	3/8" NPT[M]				
15N	1/2" NPT[M]				
06BT	1/4" BSPT[M]				
10BT	3/8" BSPT[M]				
15BT	1/2" BSPT[M]				

Ordering Example: EP-E-1-10B-5C-0-10Kg/cm²

Note: Specifications and dimensions given in this product catalogue represents the state of engineering at the time of printing. Modifications may take place and materials specified may be replaced by others without prior notice.