

Back side diaphragm seal Threaded connection type



Features:

- Robust design
- Diaphragm is welded to the body to ensure separation of the filling fluid from the process medium.
- All SS construction

Applications:

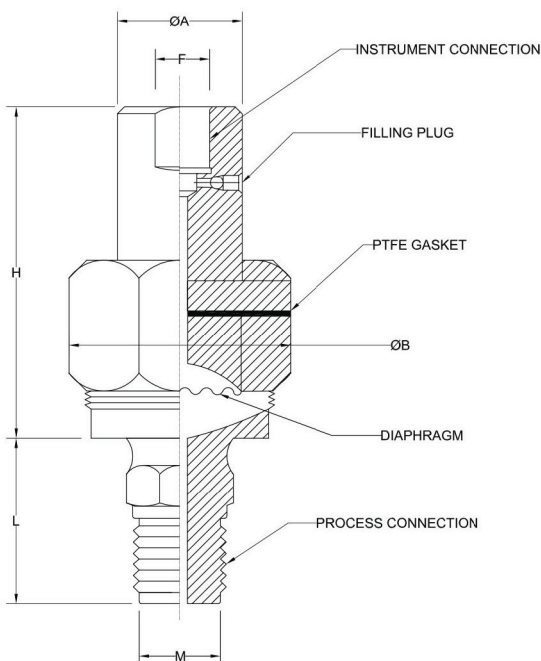
- Used to isolate sensing element from corrosive & viscous process media.
- Especially used in applications where regular cleaning is required for example Grouting, Paint etc.

Standard Parameters

Seal type & Range	: T20 = 0 to 6 kg/cm ² to 0 to 250 kg/cm ²
Process temperature	: - 45 °C to 150 °C or as per fill fluid
Instrument connection	: 1/4" BSP[F]
Process connection	: 1/2" BSP[M]
Fill fluid	: Silicon Oil - DC 200
Mounting	: Direct (without capillary)

Materials of Construction

Diaphragm	: AISI 316L SS
Top chamber	: AISI 304 SS
Bottom chamber	: AISI 316 SS
Sealing gasket	: PTFE



Dimensional drawing

Type T20

H	L	F	øA	øB	M	Approx. Weight in grams
70	38	1/4" BSP[F]	26	45	1/2" BSP[M]	650

Note: ● Drawings are not to scale ● All dimensions are in mm

Ordering Codes

1. Type T20 0 to 6 kg/cm ² & 0 to 250 kg/cm ²	T20	8. Protection on wetted parts PL PTFE Lining on Bottom Chamber - 2 mm THICK (Max. Up to 150 °C) * PT PTFE Protection for Diaphragm (Max. Up to 150 °C) (Suitable for Pressure Ranges only) PC PTFE Coating on Diaphragm (Max. Up to 315 °C) *With bore diameter 10 mm minimum & for connection size 1/2" & above only.	PC
2. Instrument Connection* 06BF 1/4" BSP[F] 10BF 3/8" BSP [F] 15BF 1/2" BSP [F](Standard) 15NF 1/2" NPT [F] 06NF 1/4" NPT [F] *(Select this option when dry seal is required)	15BF	9. Filling fluid S1 Silicon DC 200 [-40 to 205°C] S2 Silicon DC 704 [10 to 337°C] S3 Silicon DC 710 [7 to 371°C] FG Food Grade Oil [-20 to 140°C]	S1
3. Hexagonal Nut S4 AISI 304 SS (Standard) S6 AISI 316 SS S6L AISI 316L SS	S6	10. Remote Mounting* Specify in Meters *with capillary of max up to 6 Meters	3Mtr
4. Diaphragm S6L AISI 316L SS (Standard) MO MONEL HC Hastelloy 'C'	S6L	11. Capillary S4 AISI 304 SS S6 AISI 316 SS	S4
5. Sealing Gasket TF PTFE (Standard)	TF	12. Capillary covered with armour* S4 AISI 304 SS S6 AISI 316 SS PV PVC (Ambient Temp. Max. 60°C) *Applicable with capillary option if applied	S4
6. Bottom Chamber S4 AISI 304 SS S6 AISI 316 SS (Standard) S6L AISI 316L SS HC Hastelloy 'C'	S6	13. Other Options HL Helium leak test WI Dry Seal Only Without Instrument MT Material Test Certificates* *Material test certificates will be provided for wetted parts only with chemical composition testing. For others, please consult factory.	MT
7. Process Connection M20 M20 x 1.5[M] 06N 1/4" NPT[M] 15N 1/2" NPT[M] 20N 3/4" NPT[M] 10B 3/8" BSP [M] 15B 1/2" BSP [M] (Standard) 06B 1/4" BSP[M]	15B		

Ordering example: BD-T20-15BF-S6-S6L-TF-S6-15B-PC-S1-3Mtr-S4-S4-MT

Compatible Model: IP, SP

Note:

1. It is recommended that the MOC of the diaphragm be equivalent or superior than the MOC of the bottom chamber.
2. Specifications and dimensions given in this product catalogue represents the state of engineering at the time of printing. Modifications may take place and materials specified may be replaced by others without prior notice.